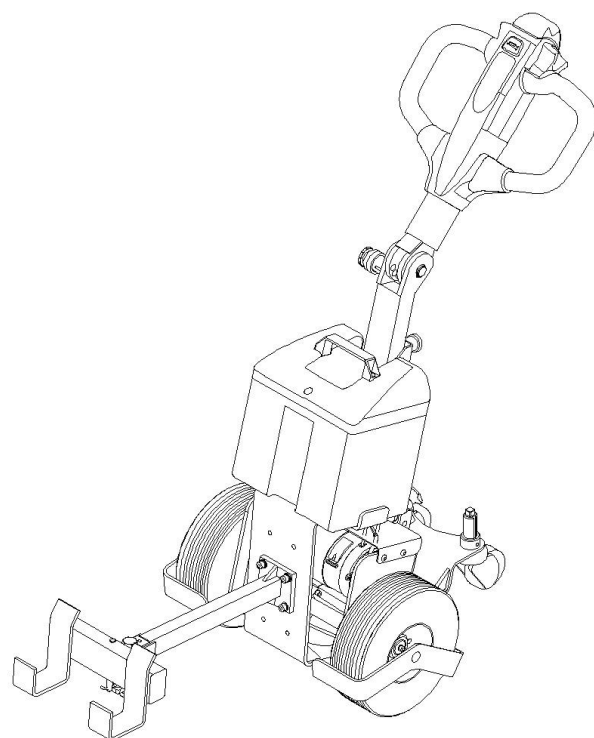


SPARE PARTS LIST

Electric Tow Tractor T E10



Version 05/2019

From truck identification number:

T E10-BPT-004-EN

Catalogue

Fig.1 Label (for EU)	1
Fig.2 Label (for US)	2
Fig.3 Outline	3
Fig.4 Dragging frame(一)	4
Fig.5 Dragging frame (二)	5
Fig.6 Dragging frame (三)	6
Fig.7 Dragging frame (四)	7
Fig.8 Truck body	8
Fig.9 Drive system	10
Fig.10 Handle assembly	11
Fig.11 Battery	13
Fig.12 Handle head	15
Fig.13 Indicator board assembly	17
Fig.14 Electronic control assembly	18
Fig.15 Drive wheel	20
Fig.16 Main cables.....	21
Easy worn parts list.....	22

Fig.1 Label (for EU)

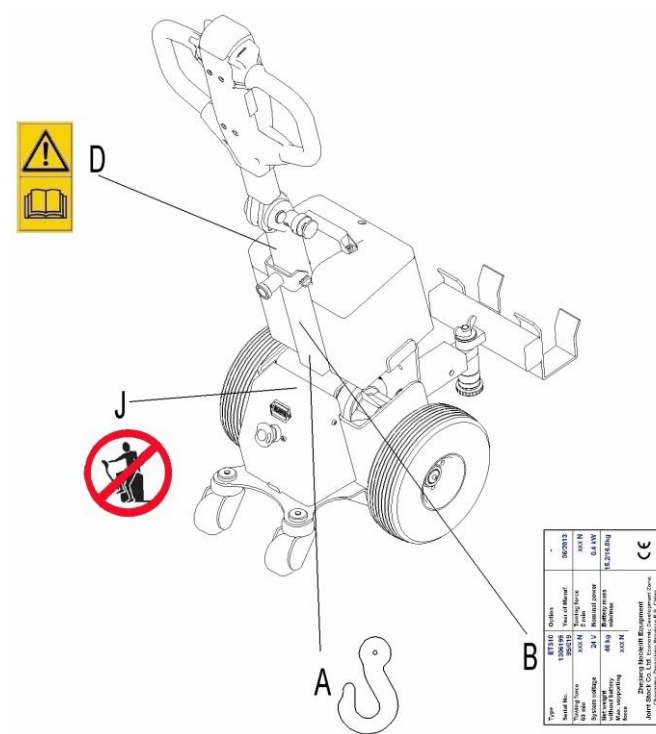


Fig.1 Label (for EU)

No.	Old Art No.	New Art No.	Description	Qty.	Note
A	9000005967	941200300001	Crane hook label	1	
B	9000008646	565347520000	ID-plate	1	
D	9000003570	941200300002	Sticker to read and follow these instruction	1	
J	9000003573	941200100003	'No passengers' decal	1	

Fig.2 Label (for US)

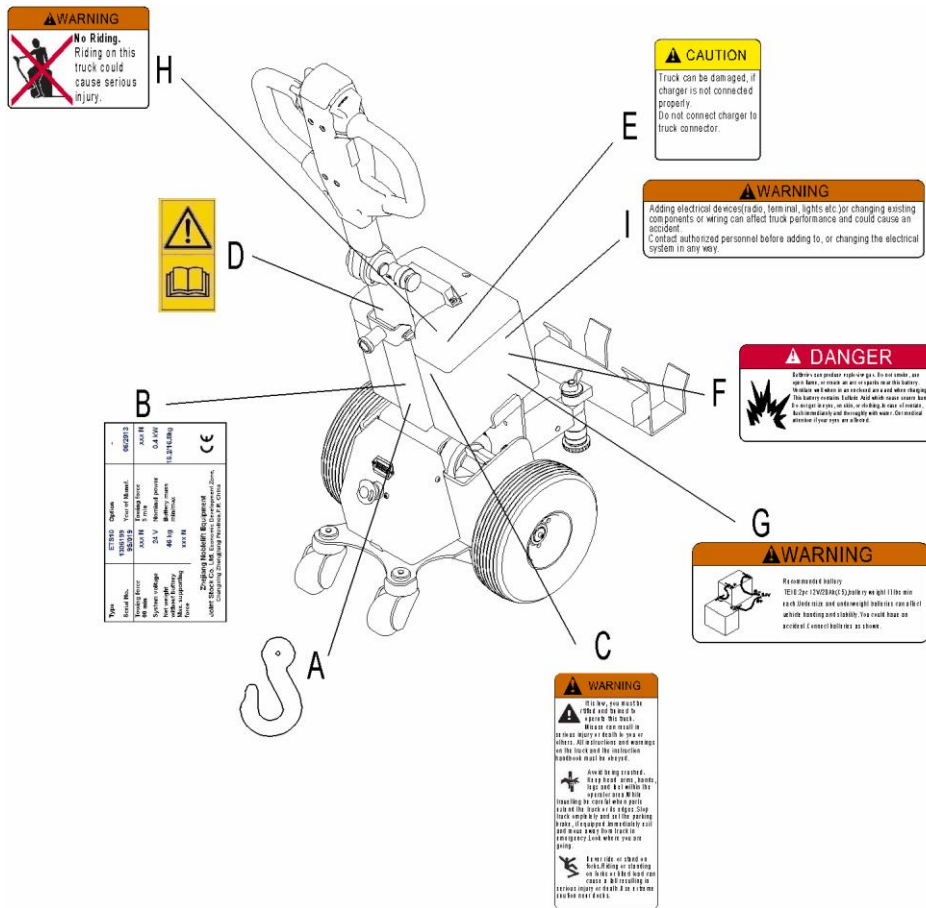


Fig.2 Label (for US)

No.	Old Art No.	New Art No.	Description	Qty.	Note
A	9000005967	941200300001	Crane hook label	1	
B	9000008646	565347520000	ID-plate	1	
C	9000003575	941200100009	Sign warning stay clear stop truck	1	
D	9000003570	941200300002	Sticker to read and follow these instruction	1	
E	9000003576	941200100012	Sign Caution charger	1	
F	9000003577	941200100013	Sign danger battery	1	
G	9000008583	565347020000	Sign warning battery size	1	
H	9000003580	941200100011	Never sit on	1	
I	9000003579	941200100010	Sign warning electrical devices	1	

Fig.3 Outline

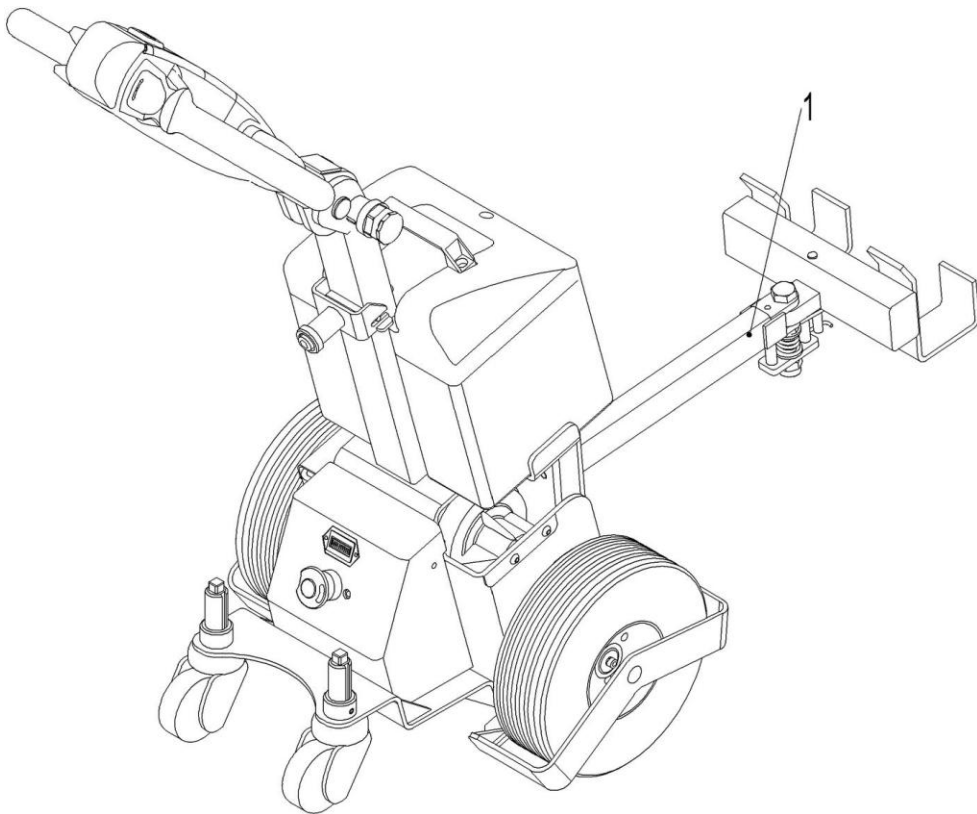


Fig.3 Outline

No.	Old Art No.	New Art No.	Description	Qty.	Note
1	9000009555	565398510003	Dragging frame	1	
	9000009549	565398510000	Dragging frame	1	
	9000009553	565398510001	Dragging frame	1	
	9000009535	565398510002	Dragging frame	1	

Fig.4 Dragging frame(一)

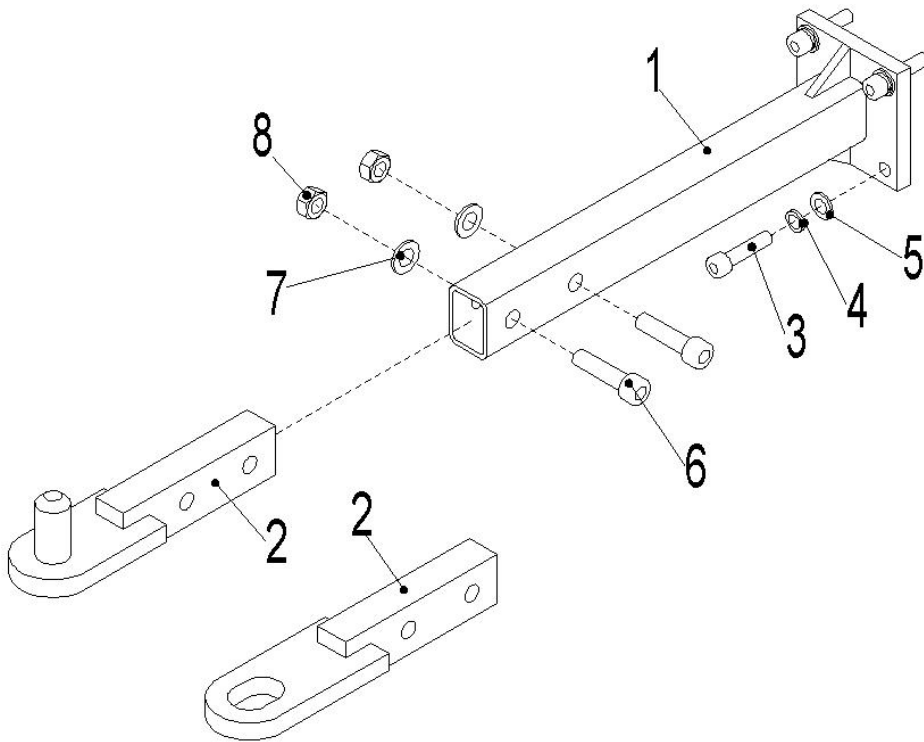


Fig.4 Dragging Frame (一)

No.	Old Art No.	New Art No.	Description	Qty.	Note
1	9000009550	565338010000	Rack/ Hanger	1	
2	9000009551	565338010002	Drawing head	1	
	9000009552	565338010003	Drawing head	1	
3	0000023455	910200200060	Screw	4	M8x35
4	0000025001	910400500006	Washer	4	8
5	0000025011	910400100006	Washer	4	8
6	0000023025	910200200079	Screw	2	M10x40
7	0000025002	910400100007	Washer	2	10
8	0000024065	910300100007	Nut	2	M10

Fig.5 Dragging frame (二)

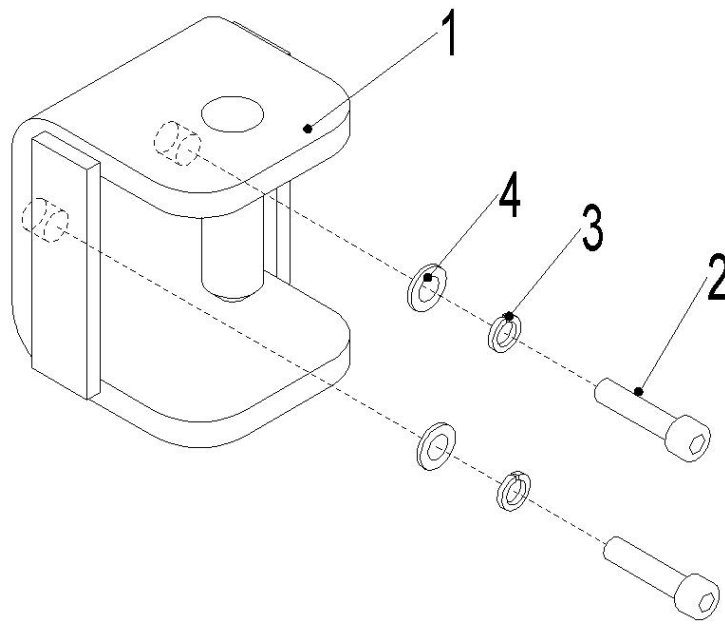


Fig.5 Dragging Frame (二)

No.	Old Art No.	New Art No.	Description	Qty.	Note
1	9000009554	565338010001	Traction seat	1	
2	0000023455	910200200060	Screw	2	M8x35
3	0000025001	910400500006	Washer	2	8
4	0000025011	910400100006	Washer	2	8

Fig.6 Dragging frame (三)

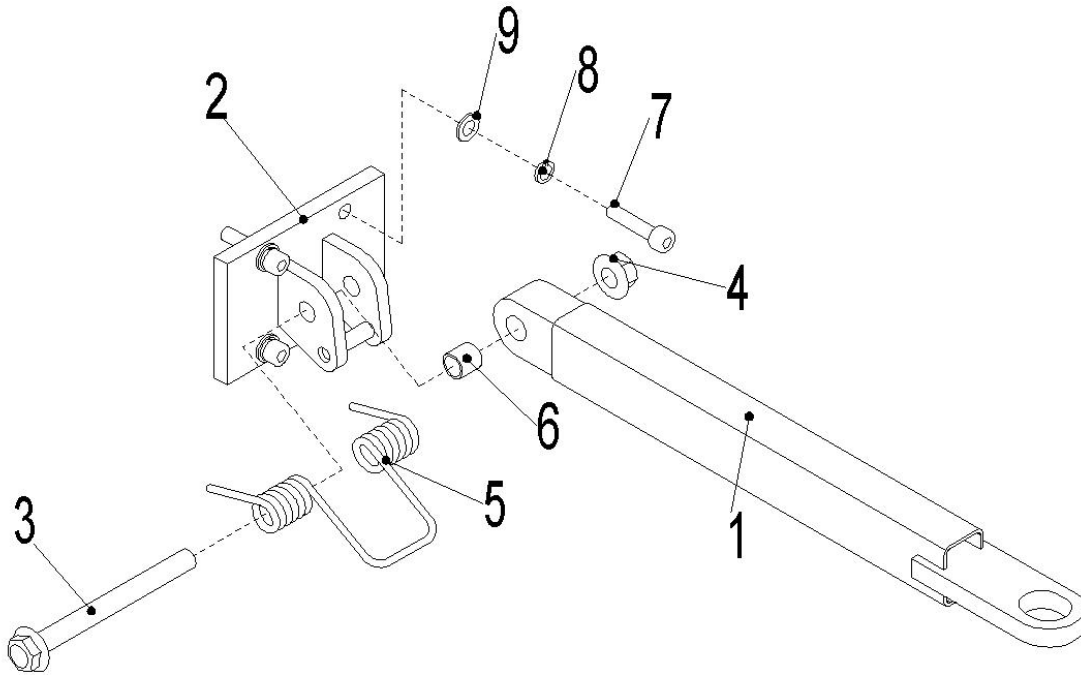


Fig.6 Dragging Frame (三)

No.	Old Art No.	New Art No.	Description	Qty.	Note
1	9000009536	565338010004	Traction rod	1	
2	9000009537	565338010005	Fixing seat	1	
3	0090000508	910100800004	Bolt	1	M12x120
4	0090000509	910300500006	Lock nut	1	M12
5	9000009538	565338020014	Spring	1	
6	1000413002	940500100002	Bushing	1	12X15X15
7	0000023455	910200200060	Screw	4	M8x35
8	0000025001	910400500006	Washer	4	8
9	0000025011	910400100006	Washer	4	8

Fig.7 Dragging frame (四)

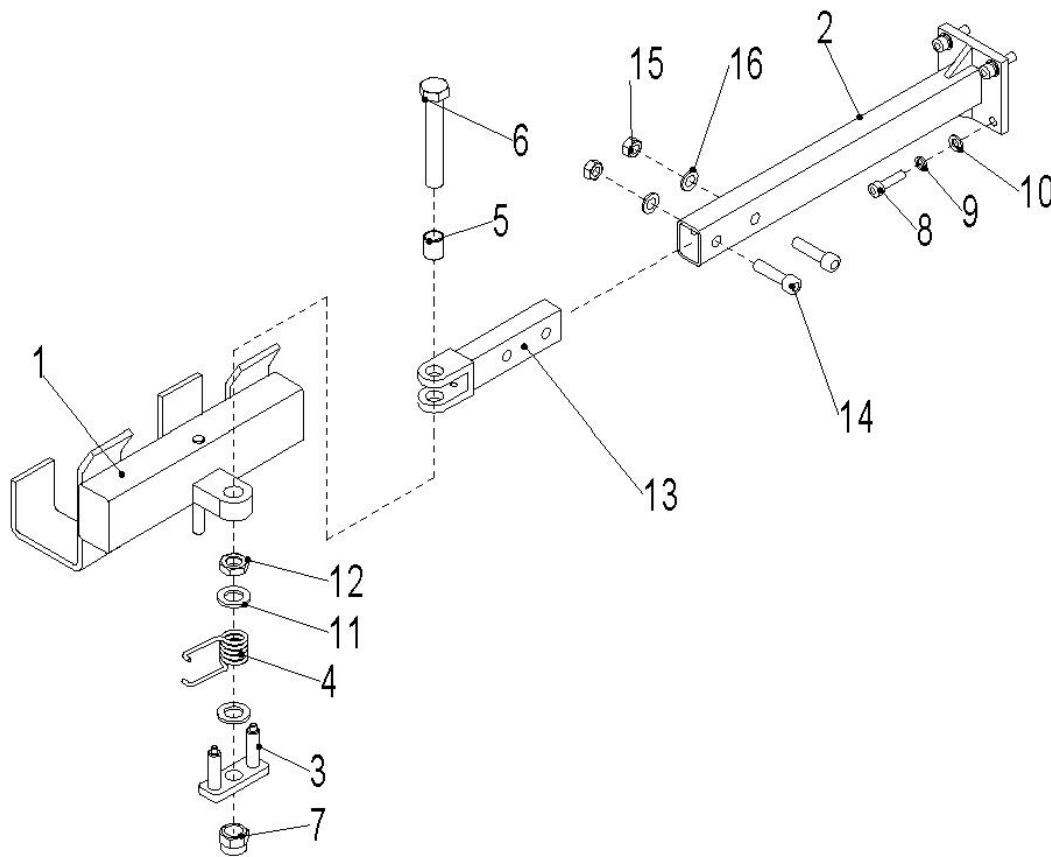


Fig.7 Dragging Frame (四)

No.	Old Art No.	New Art No.	Description	Qty.	Note
1	9000009556	565338010006	Rack/ Hanger	1	
2	9000009557	565338010000	Traction rod	1	
3	9000009558	565338010008	Spring frame	1	
4	9000009559	565338020024	Spring	1	
5	0000013030	940500100007	Bushing	1	16X18X20
6	0000023769	910100100078	Bolt	1	M16x100
7	0000024011	910300500008	Lock nut	1	M16
8	0000023455	910200200060	Screw	4	M8x35
9	0000025001	910400500006	Washer	4	8
10	0000025011	910400100006	Washer	4	8
11	0000025029	910400100010	Washer	2	16
12	0000024010	910300300008	Nut	1	M16
13	9000009557	565338010007	Fixing rod	1	
14	0000023025	910200200079	Screw	2	M10x40
15	0000024065	910300100007	Nut	2	M10
16	0000025002	910400100007	Washer	2	10

Fig.8 Truck body

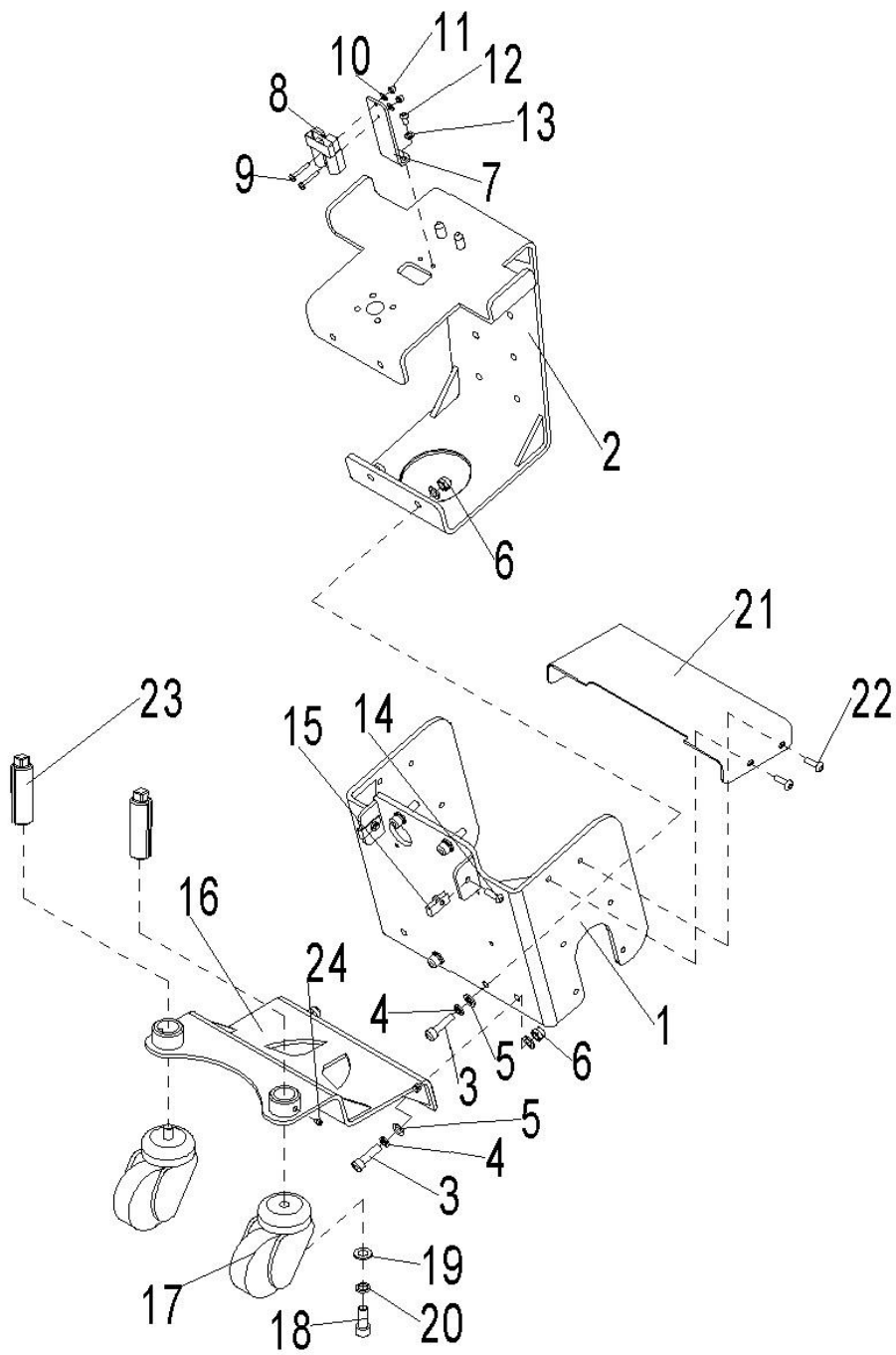


Fig.8 Truck body

No.	Old Art No.	New Art No.	Description	Qty.	Note
1	9000008185	565321510000	Truck body	1	
2	9000008186	565321510001	Dragging board	1	
3	0000023172	910200200059	Screw	6	M8x30
4	0000025001	910400500006	Washer	6	8
5	0000025011	910400100006	Washer	12	8
6	0000024003	910300500004	Lock nut	6	M8
7	9000008187	565321520008	Plug board	1	
8	9000009568	920400100003	SR50 78184-00	1	Without handle
9	0000023043	910200500027	Screw	2	M4x25
10	0000025019	910400100003	Washer	2	4
11	0000024004	910300500001	Lock nut	2	M4
12	0000023126	910200300012	Screw	2	M5x12
13	0000025014	910400100004	Washer	2	5
14	0000023121	910200300019	Screw	2	M6X20
15	9000007785	940400400001	Nut	2	M6
16	9000008188	565321510002	Supporting board	1	
17	2550100001	940300601033	Castor	2	
18	0000023088	910200200076	Screw	2	M10x25
19	0000025002	910400100007	Washer	2	10
20	0000023006	910400500007	Washer	2	10
21	9000009539	565321520012	Protective board	1	
22	0000023519	910200300016	Screw	4	M6x10
23	9000009540	565321520014	Screw	2	
24	0090000507	910201000009	Screw	2	M8X8

Fig.9 Drive system

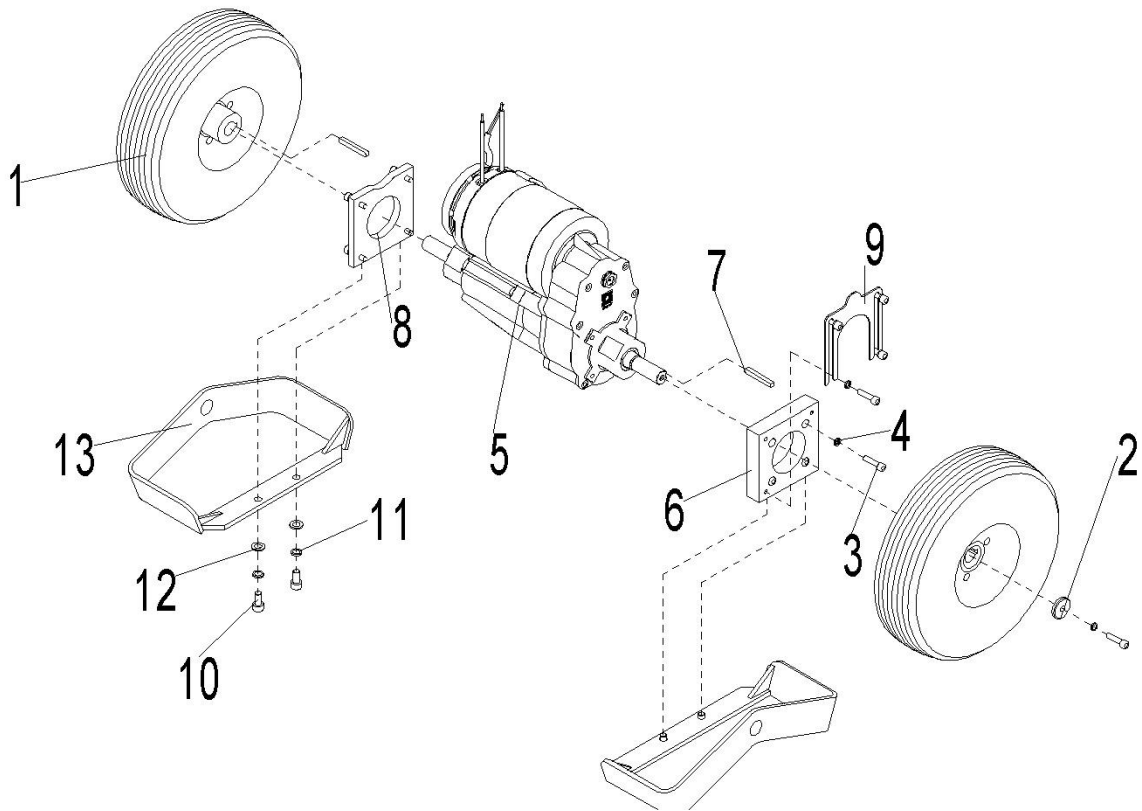


Fig.9 Drive System

No.	Old Art No.	New Art No.	Description	Qty.	Note
1	9000009804	940300400001	Drive wheel 250X80	2	non-marking tire
2	9000008190	565313520000	Circlip	2	
3	0000023030	910200200038	Screw	14	M6x25
4	0000025010	910400500005	Washer	14	6
5	9000008656	565313520007	Transverse DC drive assembly	1	amer24V/400W
6	9000008191	565313520001	Assembly board 一	1	
7	0090000412	910600800017	Flat key	2	C 6x45
8	9000008192	565313520002	Assembly board 二	1	
9	9000008193	565313520003	Subplate	1	
10	0000023067	910200200055	Screw	4	M8x16
11	0000025001	910400500006	Washer	4	8
12	0000025011	910400100006	Washer	4	8
13	9000009541	565313510000	Drive wheel protective board	2	

Fig.10 Handle assembly

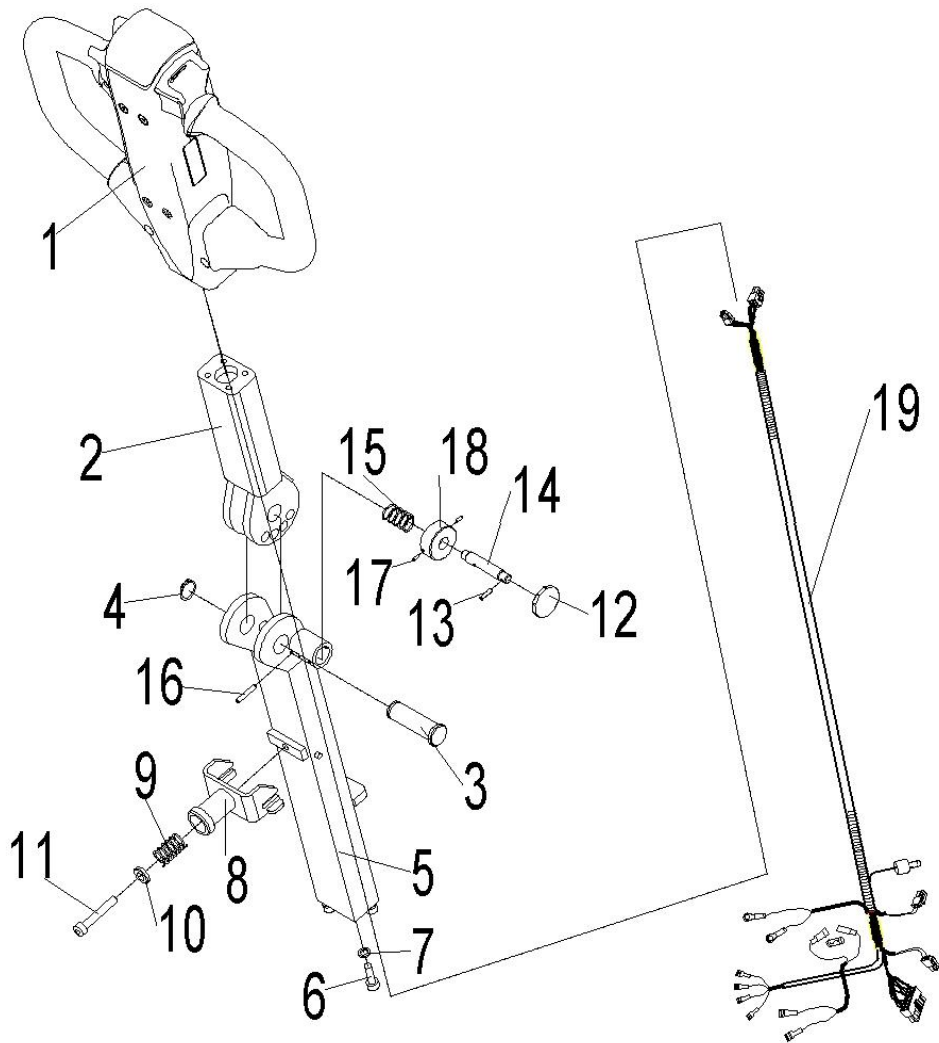


Fig.10 Handle Assembly

No.	Old Art No.	New Art No.	Description	Qty.	Note
1	1070100002	506511010002	Handle	1	
2	9000008194	565311010004	Handle arm	1	
3	9000008195	565311020017	Rotating axle	1	
4	0000026003	910401300011	Circlip	1	20
5	9000008202	565311010005	Poling	1	
6	0000023047	910200200058	Screw	8	M8x25
7	0000025001	910400500006	Washer	8	8
8	9000008200	565311010003	Fixing frame	1	
9	2210431002	565311020018	Spring	1	
10	9000008201	565311020004	Locating bushing	1	
11	0000023796	910200200062	Screw	1	
12	2210402002	565311020019	Hand wheel	1	
13	0000028162	910600400009	Dowel pin	1	4x16
14	9000008197	565311020000	Locating axle	1	
15	2210431002	565311020018	Spring	1	
16	0000028167	910600400015	Dowel pin	1	4x28
17	0090000345	910200800001	Screw	2	M3x8
18	9000008198	565311020001	End cap	1	
19	9000008589	565333010001	Main control cable	1	

Fig.11 Battery

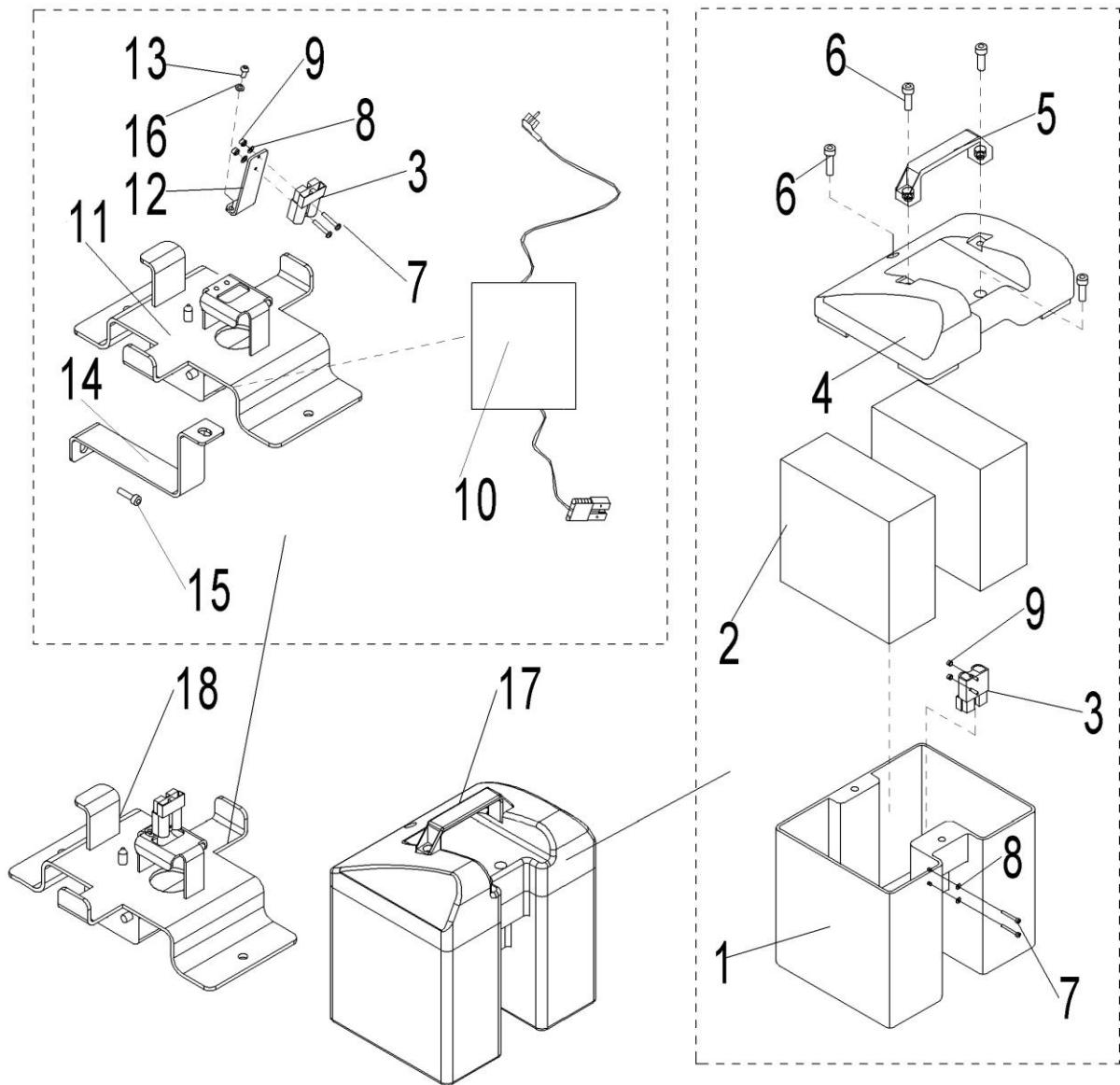


Fig.11 Battery

No.	Old Art No.	New Art No.	Description	Qty.	Note
1	9000008208	565337010001	Battery box	1	
2	9000008336	920600100006	Battery	2	12V/24Ah 5HR
3	9000009568	920400100003	SR50 78184-00	2	
4	9000008207	565337010000	Battery box cover	1	
5	9000007808	940800500001	Handle	1	
6	0000023047	910200200058	Screw	4	M8x25
7	0000023043	910200500027	Screw	4	M4x25
8	0000025019	910400100003	Washer	4	4
9	0000024004	910300500001	Lock nut	4	M4
10	9000009534	921000200129	Charger 24V3A	1	Asia

	9000009561	921000200129	KP120W-31Q		EU
	9000009563	921000200129			AUS
	9000009565	921000200129			ENG
	9000009567	921000200129			US
11	9000009546	565336510005	Charger seat	1	
12	9000009547	565336520003	Plug board	1	
13	0000023675	910200300013	Screw	2	M5x16
14	9000009548	565336520005	Fixing plate	1	
15	0090000041	910200300011	Screw	2	M5x10
16	0000024007	910300500002	Lock nut	2	M5
17	9000008351	565337001000	Power supply assembly	1	
18	9000009544	565336501000	Charger assembly	1	

Fig.12 Handle head

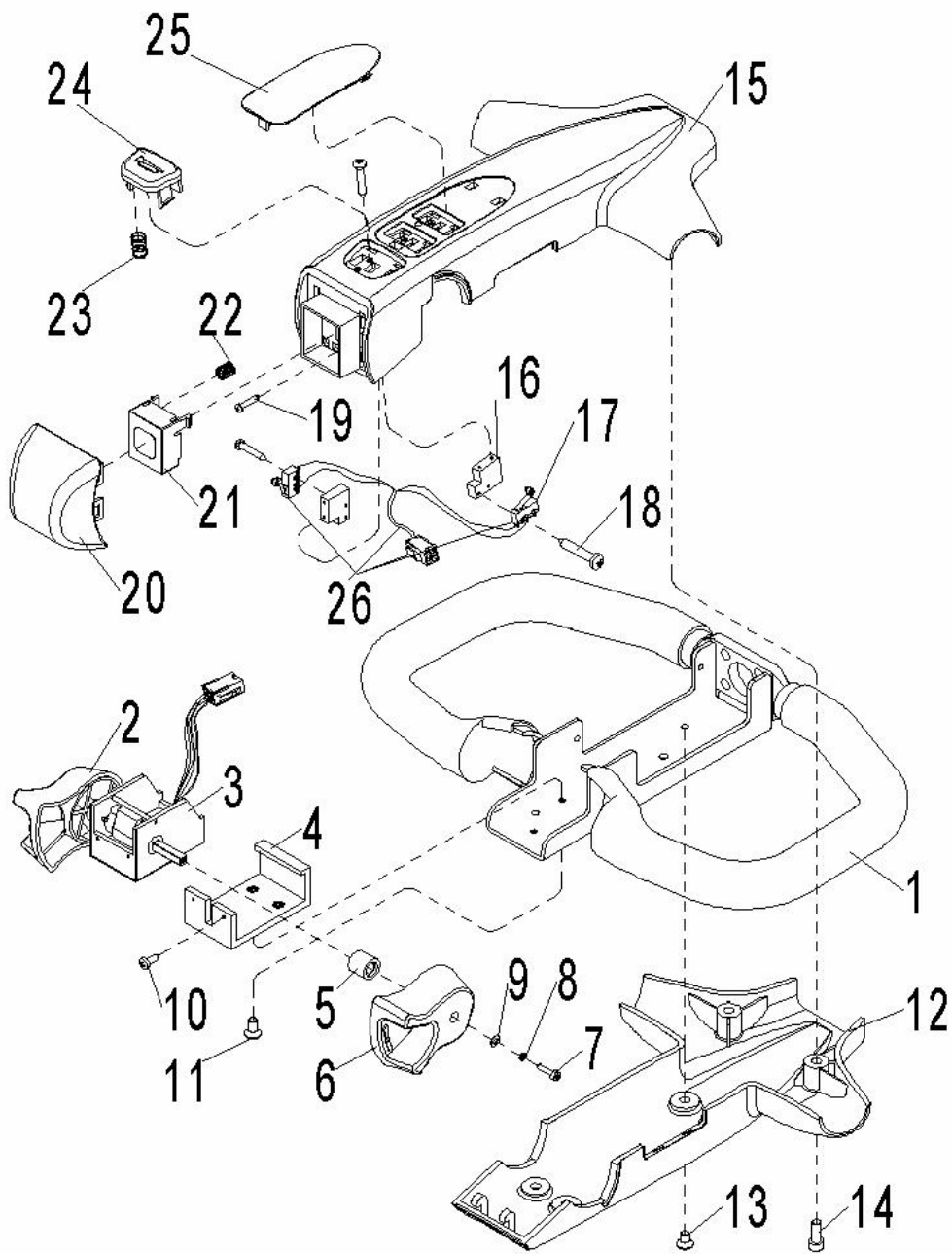


Fig.12 Handle Head

No.	Old Art No.	New Art No.	Description	Qty.	Note
1	9000002189	502311010006	Handle seat	1	
2	9000002175	502311020011	Left drive knob	1	
3	9000012014	921700100001	Accelerator ET-191E	1	Match
	9000008334	502398510004	Accelerator BD-190	1	
4	9000002177	502311020040	Accelerator connecting part	1	BD-190 Special-purpose
5	9000002188	502311020013	Bushing	2	ABS
6	9000002176	502311020012	Right drive knob	1	
7	0000023304	910200200003	Screw M3X12	2	8.8
8	0000025003	910400500002	Washer 3	2	65Mn
9	0000025026	910400100002	Washer 3	2	Steel
10	0090000190	910201300002	Screw M3X8	2	BD-190 Special-purpose
11	0090000189	910200400003	Screw M4X8	3	8.8
12	9000002358	502611020017	Handle cover	1	ABS
13	0000023138	910200400015	Screw M6X10	4	8.8
14	0000023063	910200200035	Screw M6X16	2	8.8
15	9000002357	502611020016	Handle cover	1	ABS
16	9000002310	502311020014	Micro switch fixing part	2	
17	9000002161	920200300002	Micro switch SS-5GL2	2	
18	0090000261	910201400002	Screw ST2.2X13	4	4.8
19	0090000262	910201400001	Screw ST2.2X9.5	4	4.8
20	9000002180	502311020016	Belly seat	1	
21	9000002181	502311020017	Belly inner seat	1	
22	9000002182	502311020018	Spring 0.8	4	
23	9000002186	502311020022	Spring 0.6	2	
24	9000002183	502398520009	Horn button	1	
25	9000002356	502611020015	Label	1	ABS

Fig.13 Indicator board assembly

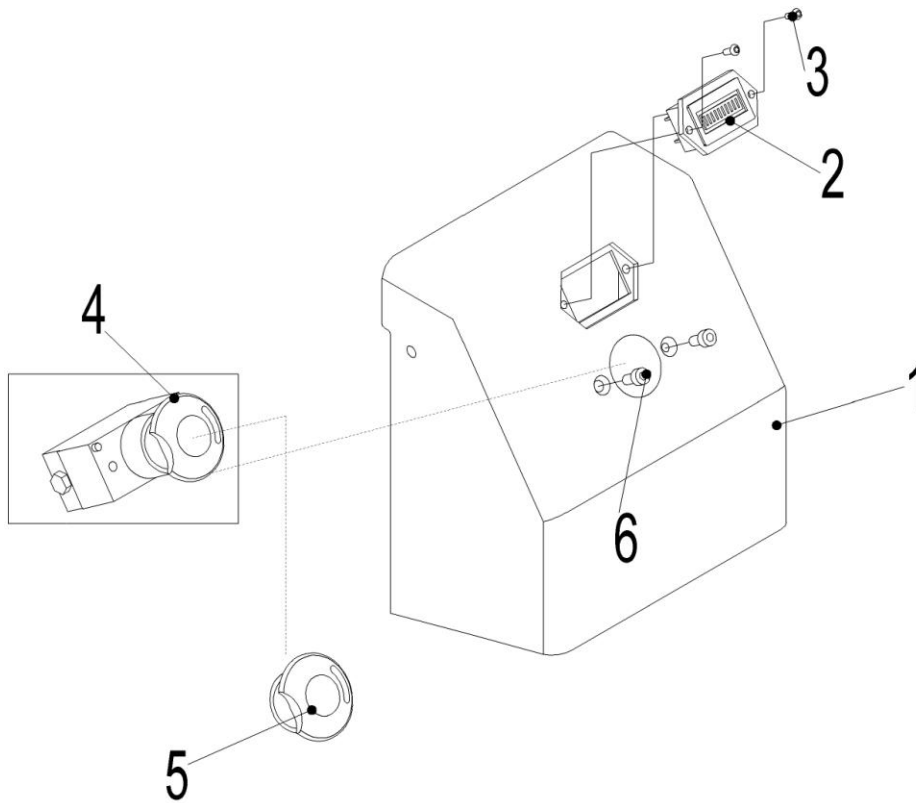


Fig.13 Indicator Board Assembly

No.	Old Art No.	New Art No.	Description	Qty.	Note
1	9000008203	565310020000	Controller box	1	
2		921100100036	Indicator	1	BD906-24V
3	0000023083	910200300002	Screw	2	M3x8
4		920200100018	Emergency switch	1	S100/80
5		920200100019	Emergency switch	1	S100/80
6	0000023311	910200200021	Screw	2	M5x10

Fig.14 Electronic control assembly

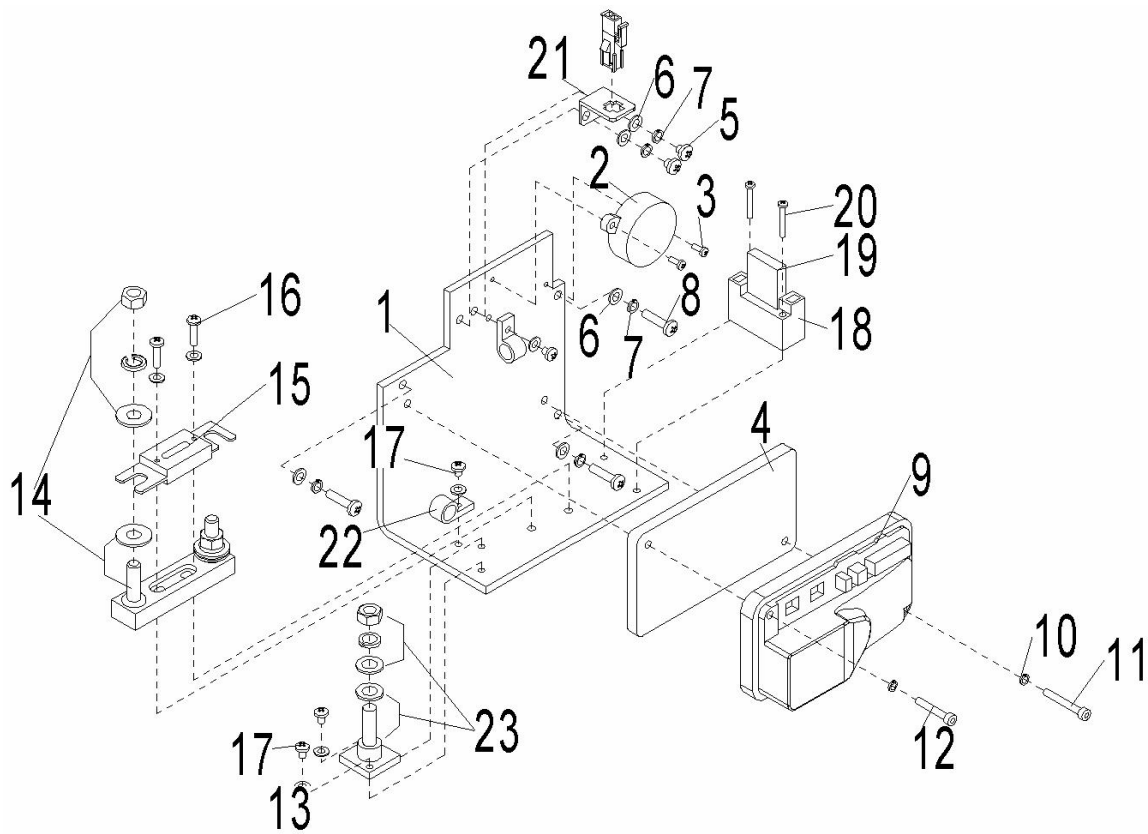


Fig.14 Electronic Control Assembly

No.	Old Art No.	New Art No.	Description	Qty.	Note
1	9000008206	565333020002	Iron plate	1	
2	9000007394	502333010025	Buzzer	1	HYD-4216W 24VDC
3	0000023216	910200500010	Screw	2	M3x8
4	9000008205	565333020001	Aluminum plate	1	
5	0000023516	910200500037	Screw	2	M5x10
6	0000025014	910400100004	Washer	5	5
7	0000025015	910400500004	Washer	5	5
8	0000023540	910200500041	Screw	3	M5x20
9	9000009802	921400100001	Controller	1	CURTIS1212P-2501
10	0000025009	910400500003	Washer	2	4
11	0090000082	910200200018	Screw	1	M4x30
12	0000023033	910200200017	Screw	1	M4x25
13	0000025019	910400100003	Washer	12	4
14	1000434007	920100400002	Fuse seat	1	SY Y
15	9000008642	920100100001	Fuse	1	30A
16	0000023211	910200500024	Screw	4	M4x16
17	0000023307	910200500021	Screw	4	M4x10
18	1000434021	920100400006	Fuse seat	1	BD-1X10A
19	1000434040	920100200002	Fuse	1	10A
20	0000023074	910200500017	Screw	2	M3x30
21	1010404005	921300300002	Plug fixing frame	1	
22	1000403004	921300200002	Line buckle	2	UC-2
23	1020434002	920100400001	M8 terminal	1	BD-M8

Fig.15 Drive wheel

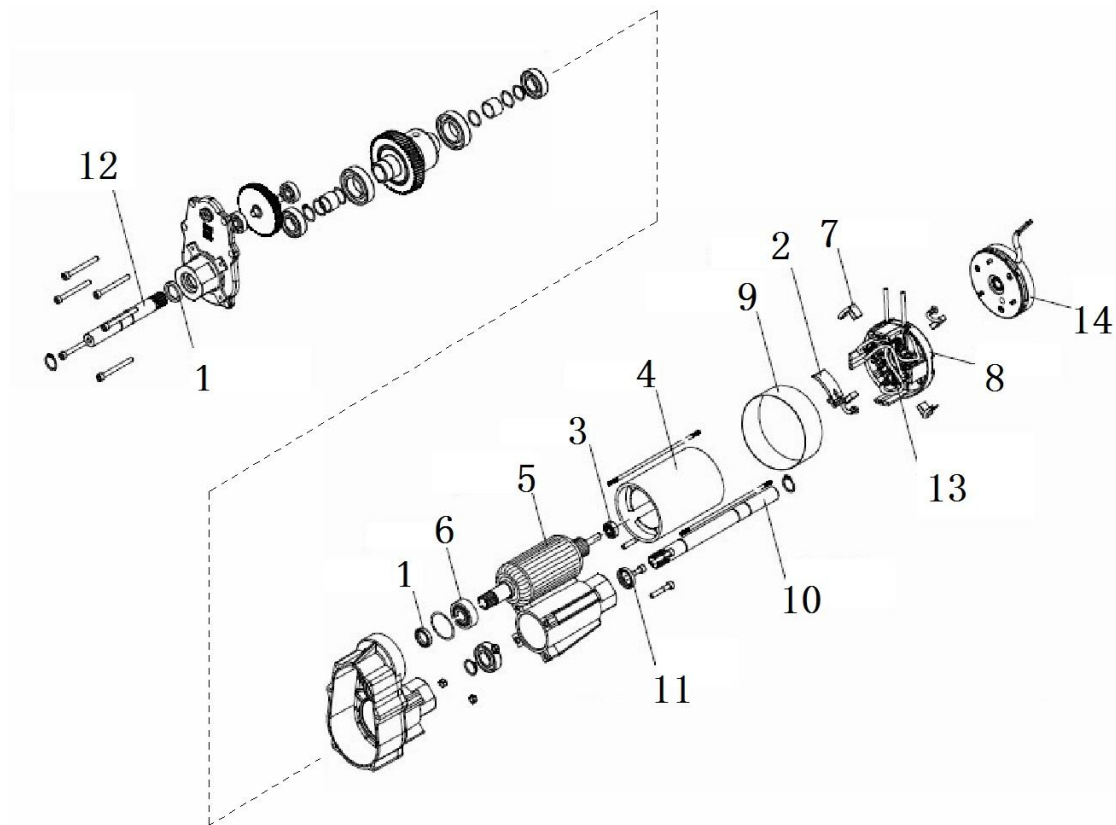


Fig.15 Drive Wheel

No.	Old Art No.	New Art No.	Description	Qty.	Note
1	9000009808	565398520001	Seal ring	1	
2	9000009809	565398520002	Safety hook	1	
3	9000009810	565398520003	Bearing	1	
4	9000009811	565398520004	Stator	1	
5	9000009812	565398520005	Armature	1	
6	9000009813	565398520006	Bearing	1	
7	9000009814	565398520007	Brush	4	
8	9000009815	565398520008	Brush lid	1	
9	9000009816	565398520009	Brush cover	1	
10	9000009817	565398520010	Right axle	1	
11	9000009818	565398520011	Gearbox seal ring	2	
12	9000009819	565398520012	Left axle	1	
13	9000009820	565398520013	Brush holder	1	
14	9000009821	502398510005	Brake	1	

Fig.16 Main cables

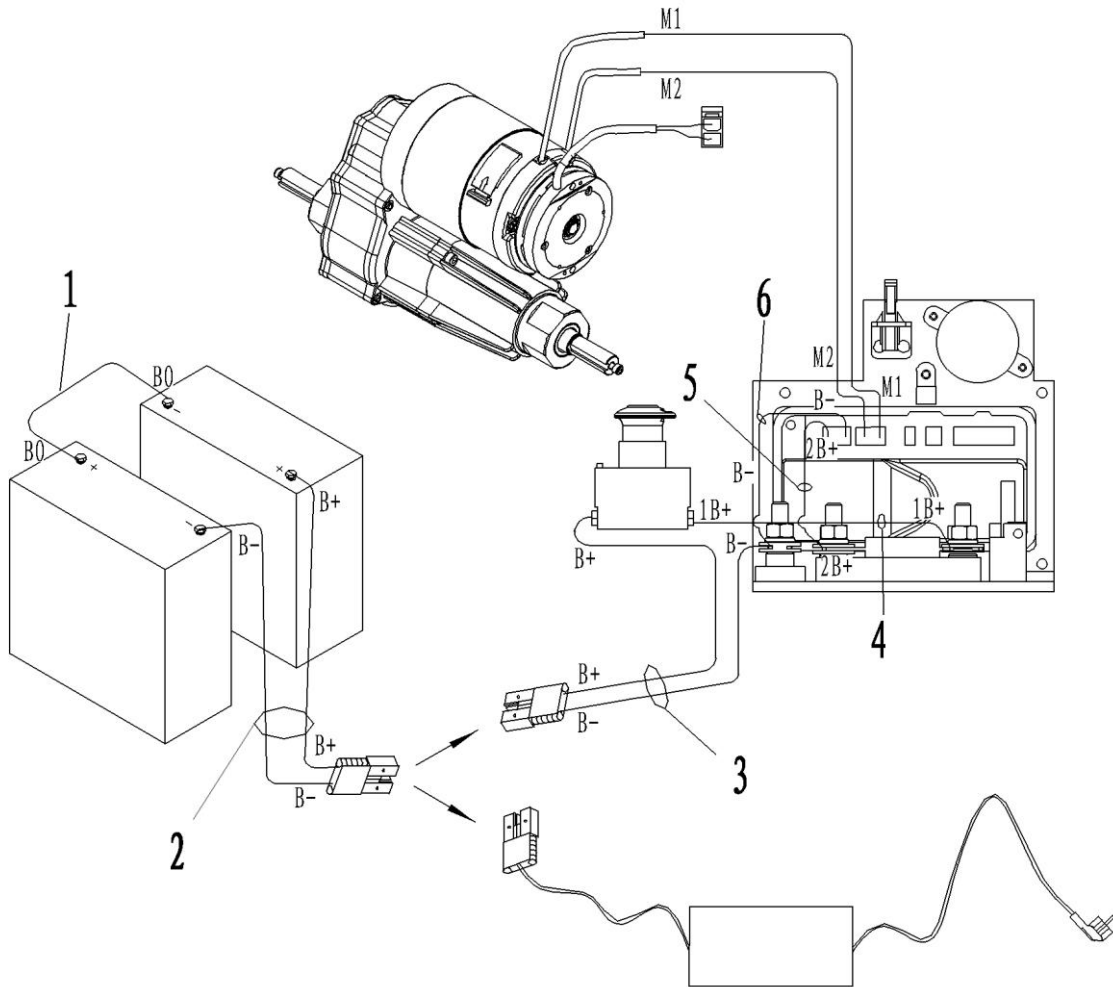


Fig.16 Main Cables

No.	Old Art No.	New Art No.	Description	Qty.	Note
1	900008592	565333010004	B0 cable	1	
2	900008590	565333010002	Battery power cable	1	
3	900008591	565333010003	Main power cable	1	
4	900008593	565333010005	1B+ cable	1	
5	900008594	565333010006	2B+ cable	1	
6	900008595	565333010007	B- cable	1	

Easy worn parts list

No.	Old Art No.	New Art No.	Name	Qty.	Fig./Position	Note
1	9000009568	920400100003	SR50 78184-00	1	Fig.8/8	Truck body
2	2550100001	940300601033	Castor	2	Fig.8/17	
3	9000008189	940300400001	Castor assembly	2	Fig.9/1	Drive system
4	9000008208	565337010001	Battery box	1	Fig.11/1	Battery
5	9000009568	920400100003	SR50 78184-00	1	Fig.11/3	
6	9000008207	565337010000	Battery box cover	1	Fig.11/4	
7	9000002161	920200300002	Micro switch	2	Fig.10/217	Handle head
8	1070334008	920200100003	Emergency switch S100/80	1	Fig.13/4	Indicator assembly
9	9000002163		Emergency switch S100/80 key	1	Fig.13/5	
10	9000008642	920100100001	Fuse 30A	1	Fig.14/15	Electronic control assembly
11	1000434040	920100200002	Fuse 10A	1	Fig.14/19	